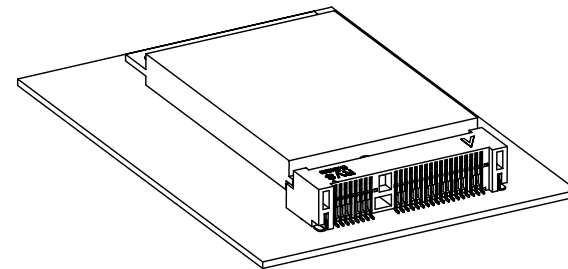
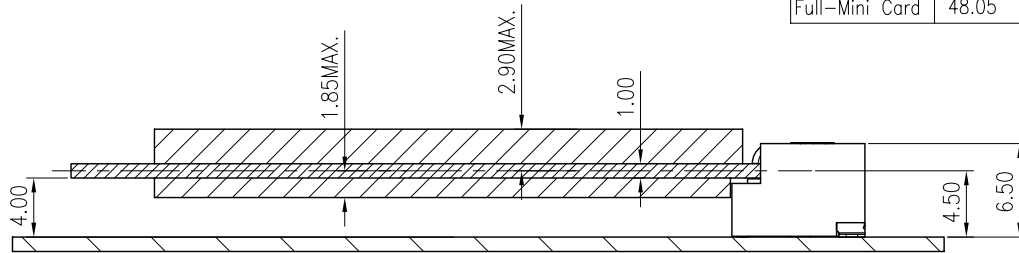


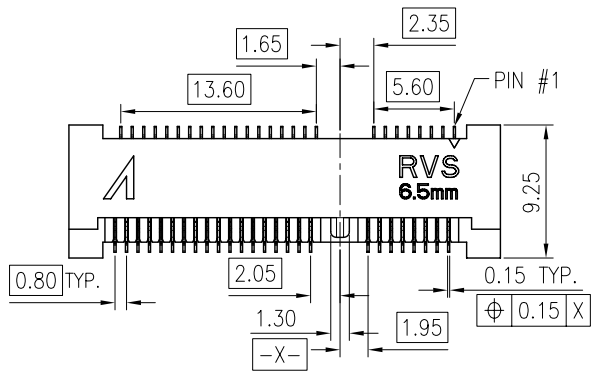
NOTES:

1. MATERIAL:
  - 1.1 HOUSING: THERMOPLASTIC, HIGH TEMP., UL94V-0;
  - 1.2 CONTACT: COPPER ALLOY
  - 1.3 FITTING NAIL: COPPER ALLOY
2. FINISH:
  - 2.1 CONTACT: PLS. SEE ORDER INFORMATION. 50 $\mu$ " MIN. NICKEL UNDERPLATING OVERALL.
  - 2.2 FITTING NAIL: 100 $\mu$ " MIN. TIN PLATING ON SOLDER TAILS. 50 $\mu$ " MIN. NICKEL UNDERPLATING OVERALL.
3. REFLOW SOLDER CAPABLE TO 260°C PER ACES SPEC.
4. THE MODULE CARD REFERENCE MINIPCI EXPRESS CARD ELECTROMECHANICAL SPECIFICATION
5. DATUM D IS THE TOP SURFACE OF PCB
6. SPEC. PLS. REFER TO PS-51700-052xx
7. PACKING SPEC. PLS. REFER TO 51707-052CR-TRP

TYPE	DIM C
Half-Mini Card	23.90
Full-Mini Card	48.05



一般公差 TOLERANCES X $\pm 0.5$ XX $\pm 0.15$ X $\pm 0.25$ .XXX $\pm 0.1$ ANGLES $\pm 2^\circ$		<b>宏致電子股份有限公司</b> <b>Aces Electronics Co.,Ltd.</b>	
檢驗尺寸標示 SYMBOLS $\text{\textcircled{C}}$ $\text{\textcircled{D}}$ INDICATE CLASSIFICATION DIMENSION $\text{\textcircled{C}}$ MARK IS CRITICAL DIM. $\text{\textcircled{D}}$ MARK IS MAJOR DIM.	品名 (TITLE) MINI PCI EXP. RVS TYPE 0.8mm PITCH H=6.50mm 圖號 (DWG NO.) 51707-XXXXX-XXX	製圖 (DR) '14/08/14 ZHUWEI 審核 (CHKD) DAVID 核准 (APPD) FRANK	張數 (SHEET) 1 OF 3 SIZE A4 REV A
表面處理 (FINISH)	比例 (SCALE) 2:1	單位 (UNITS) mm	



P/N LEGEND

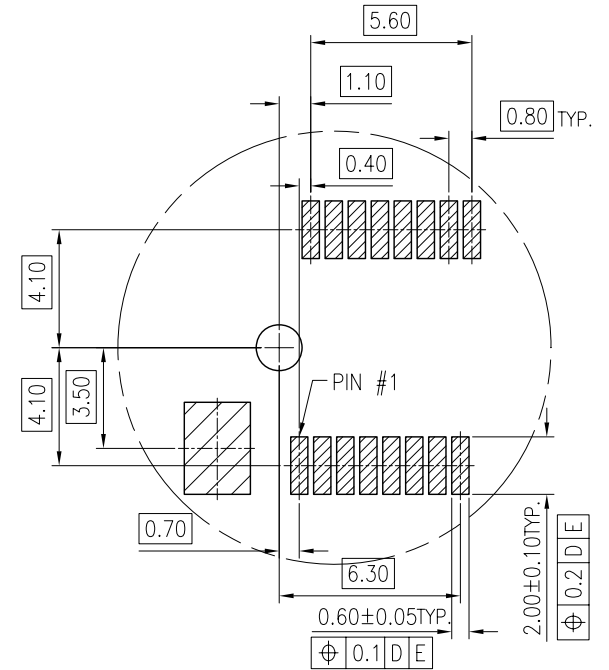
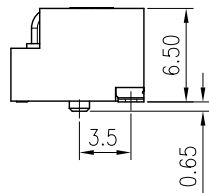
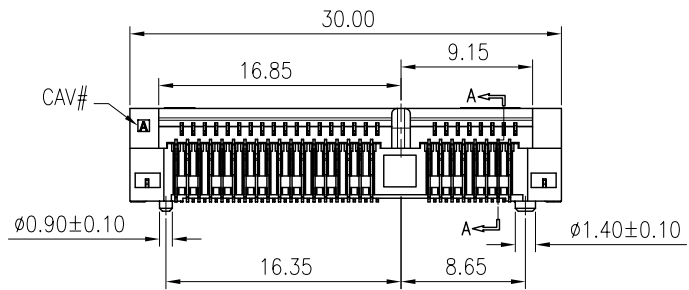
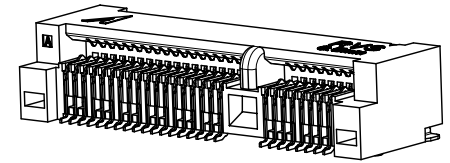
51707 - XXX X X - XXX

POS. 052. 52 PIN

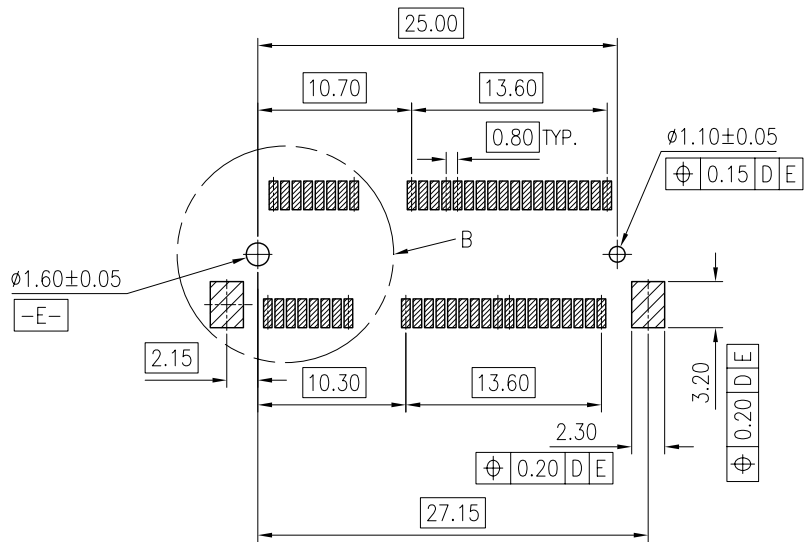
XXX	COLOR	Halogen Free
001	BLACK	<b>HF</b>

PACKAGE 0. TAPE & REEL

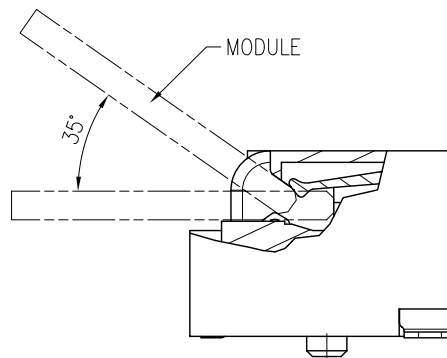
PLATING W. 1u" Gold on contact and solder for selectiveness plating



DETAIL B  
SCALE 4:1

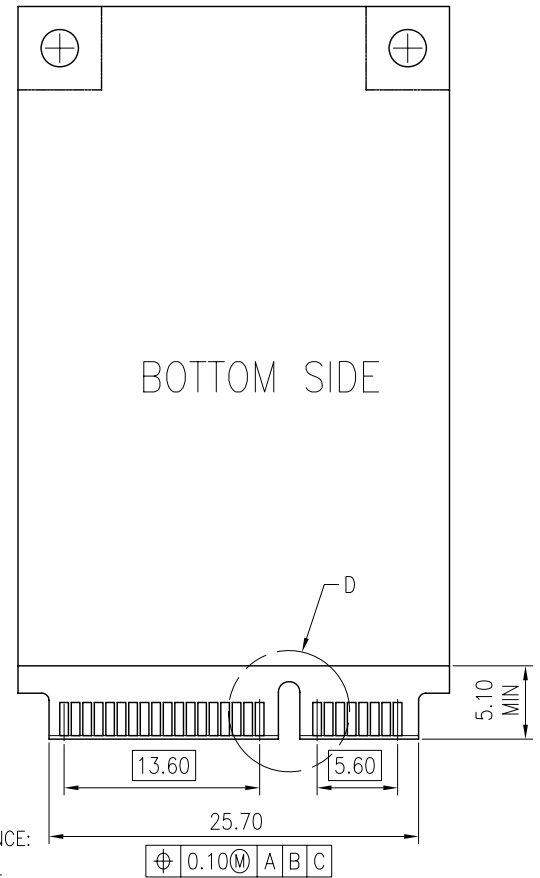
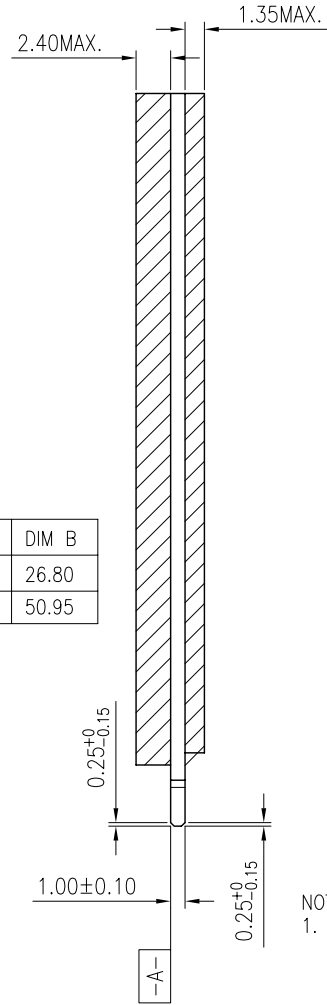
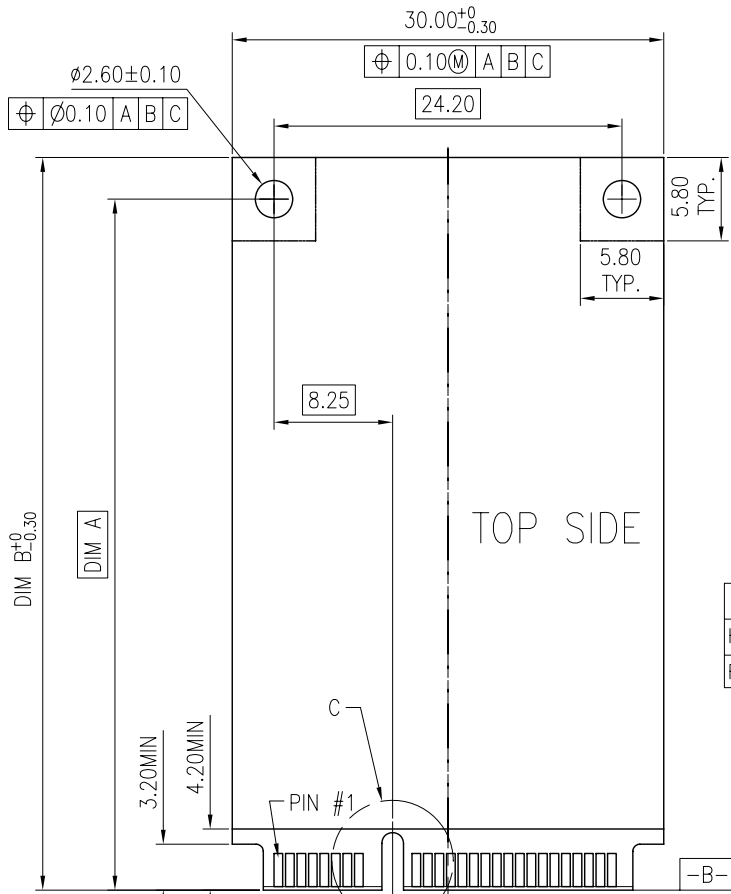


CONNECTOR LAYOUT

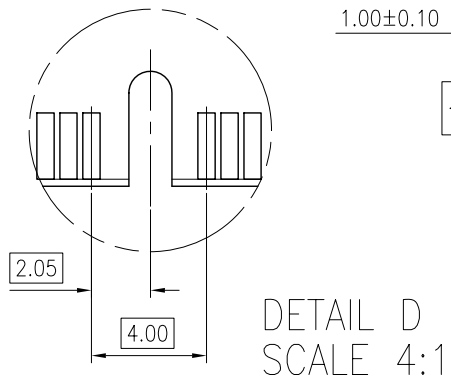
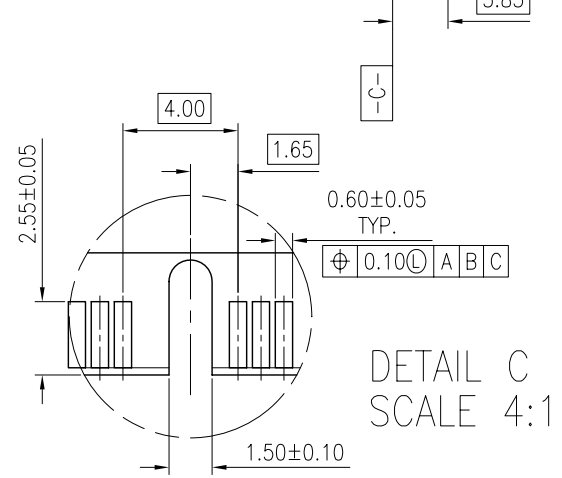


SECTION A-A  
SCALE 4:1

一般公差 TOLERANCES X ±0.5 XX ±0.15 X ±0.25 XXX ±0.1 ANGLES ±2°		宏致電子股份有限公司 Aces Electronics Co.,Ltd.	
檢驗尺寸標示 SYMBOLS ⊕ ⊗ INDICATE CLASSIFICATION DIMENSION ⊕ MARK IS CRITICAL DIM. ⊗ MARK IS MAJOR DIM.	品名 (TITLE) MINI PCI EXP. RVS TYPE 0.8mm PITCH H=6.50mm 圖號 (DWG NO.) 51707-XXXXX-XXX	製圖 (DR) '14/08/14 ZHUWEI 審核 (CHKD) DAVID 核准 (APPD) FRANK	張數 (SHEET) 2 OF 3 尺寸 (SIZE) A4 版次 (REV) A
表面處理 (FINISH)	比例 (SCALE) 2:1	單位 (UNITS) mm	



NOTES:  
 1. PIN NUMBERING REFERENCE:  
 ODD PINS: TOP SIDE  
 EVEN PINS: BOTTOM SIDE



一般公差 <b>TOLERANCES</b> X ±0.5 .XX ±0.15 X ±0.25 .XXX ±0.1 ANGLES ±2°		<b>宏致電子股份有限公司</b> <b>Aces Electronics Co.,Ltd.</b>	
檢驗尺寸標示 <b>SYMBOLS</b> ⊕ ⊗ INDICATE CLASSIFICATION DIMENSION ⊕ MARK IS CRITICAL DIM. ⊗ MARK IS MAJOR DIM.	品名 (TITLE) MINI PCI EXP. RVS TYPE 0.8mm PITCH H=6.50mm 圖號 (DWG NO.) 51707-XXXXX-XXX	製圖 (DR) '14/08/14 ZHUWEI 審核 (CHKD) DAVID 核准 (APPD) FRANK	張數 (SHEET) 3 OF 3 圖號 (DWG NO.) 5
表面處理 (FINISH)	比例 (SCALE) 2:1	單位 (UNITS) mm	尺寸 (SIZE) A4 版次 (REV) A